

MSA-BT5-G-BE- -

| | |
|-------------------------|---|
| PULLEY PITCH DIAMETER | 47.75mm (1.880") |
| PULLEY WIDTH | 54.0mm (2.124") |
| PULLEY MATERIAL | STEEL |
| BELT WEIGHT (kg) | $((\text{TRAVEL IN METERS} \times 2) + .74) \times .34$ |
| TRAVEL PER REV. | 150mm |
| TRAVEL MIN. | 150mm |
| TRAVEL MAX. | 1500mm |
| CART/PUSHER WEIGHT (kg) | $(\text{TRAVEL IN METERS} \times 4.9) + 4.0$ |
| SYSTEM WEIGHT (kg) | $(\text{TRAVEL IN METERS} \times 10.5) + 10.7$ |

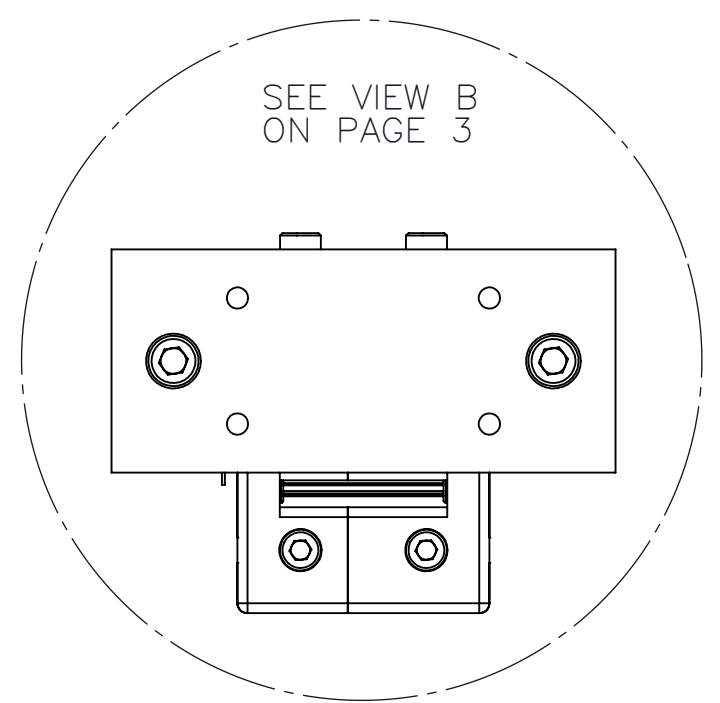
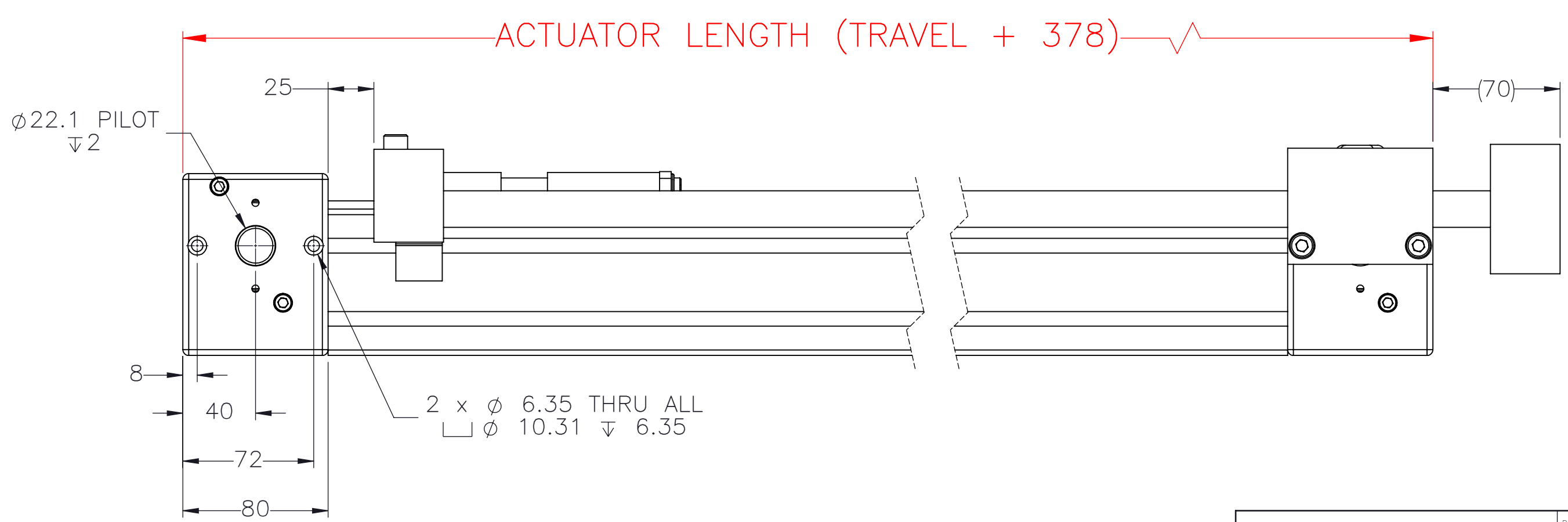
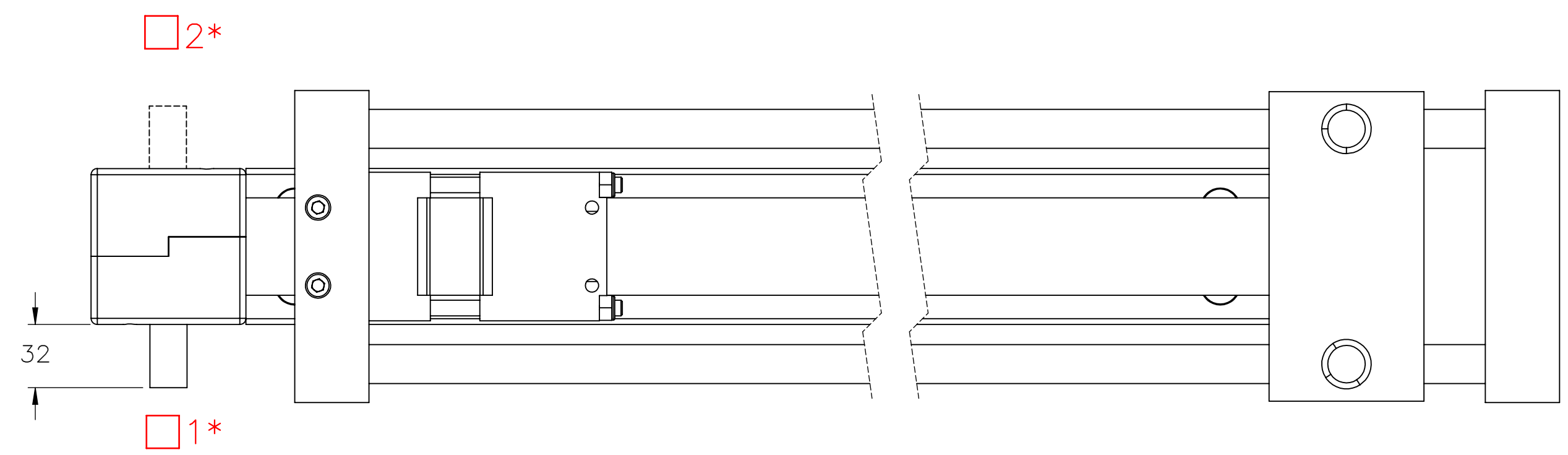
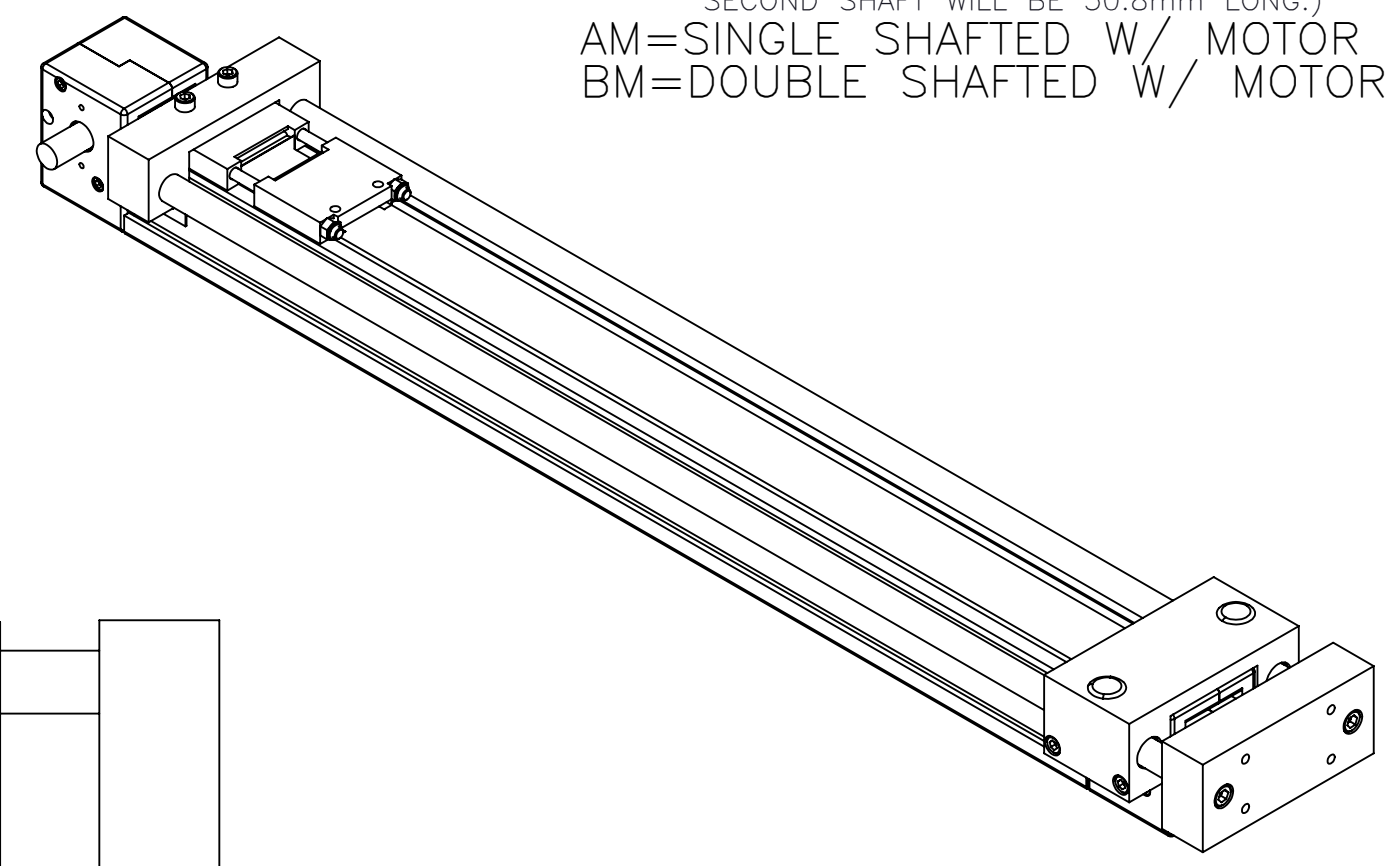
ENTER
TRAVEL IN INCREMENTS OF 25mm

SELECT
DRIVE SHAFT LOCATION*

SHAFTING TYPE
A0= SINGLE SHAFTED
B0= DOUBLE SHAFTED

NOTE: (IF "B" IS USED THE NUMBER WILL DESIGNATE POSITION OF SHORT SHAFT. SECOND SHAFT WILL BE 50.8mm LONG.)

AM= SINGLE SHAFTED W/ MOTOR MOUNT
BM= DOUBLE SHAFTED W/ MOTOR MOUNT



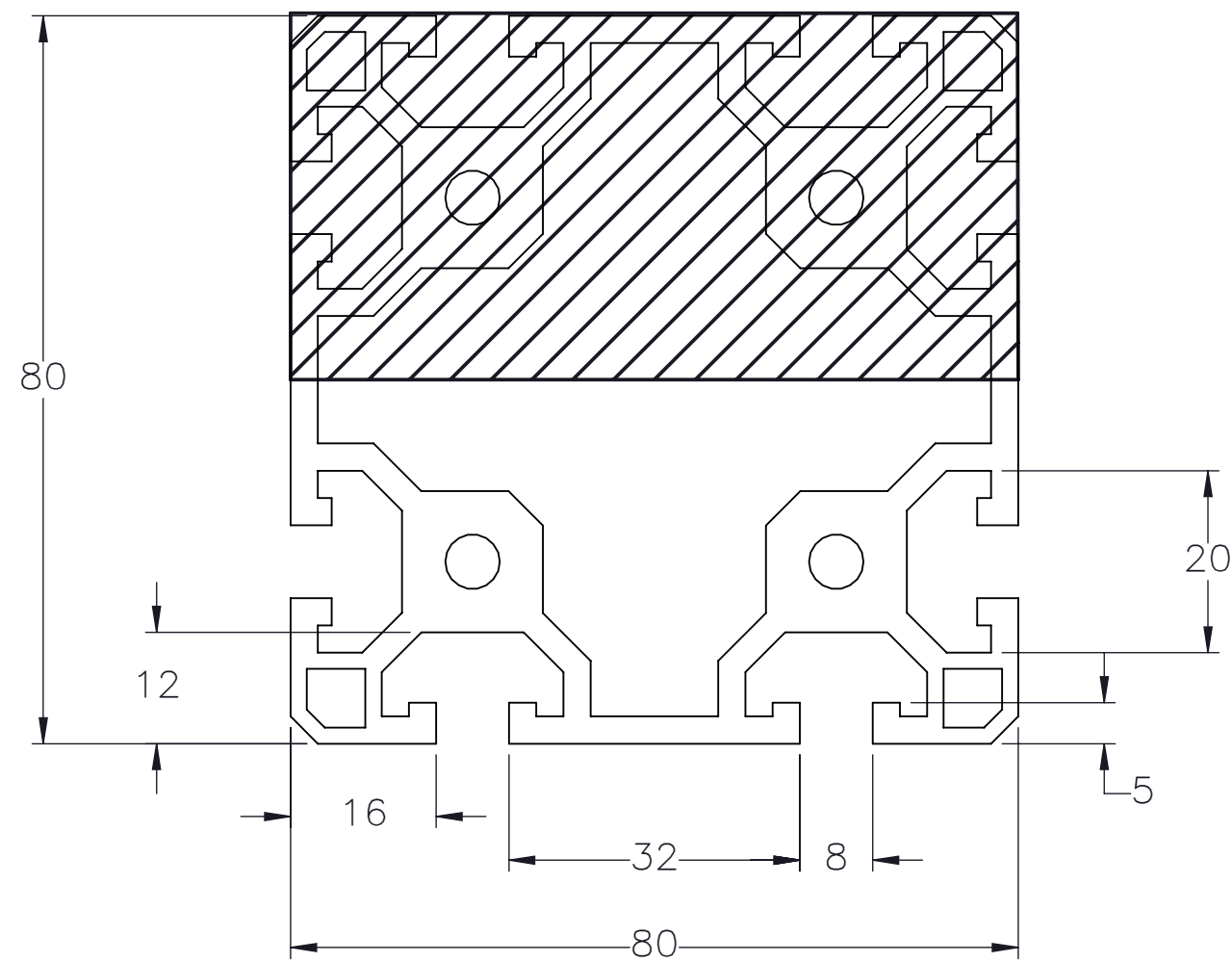
APPROVED: _____

DATE: _____

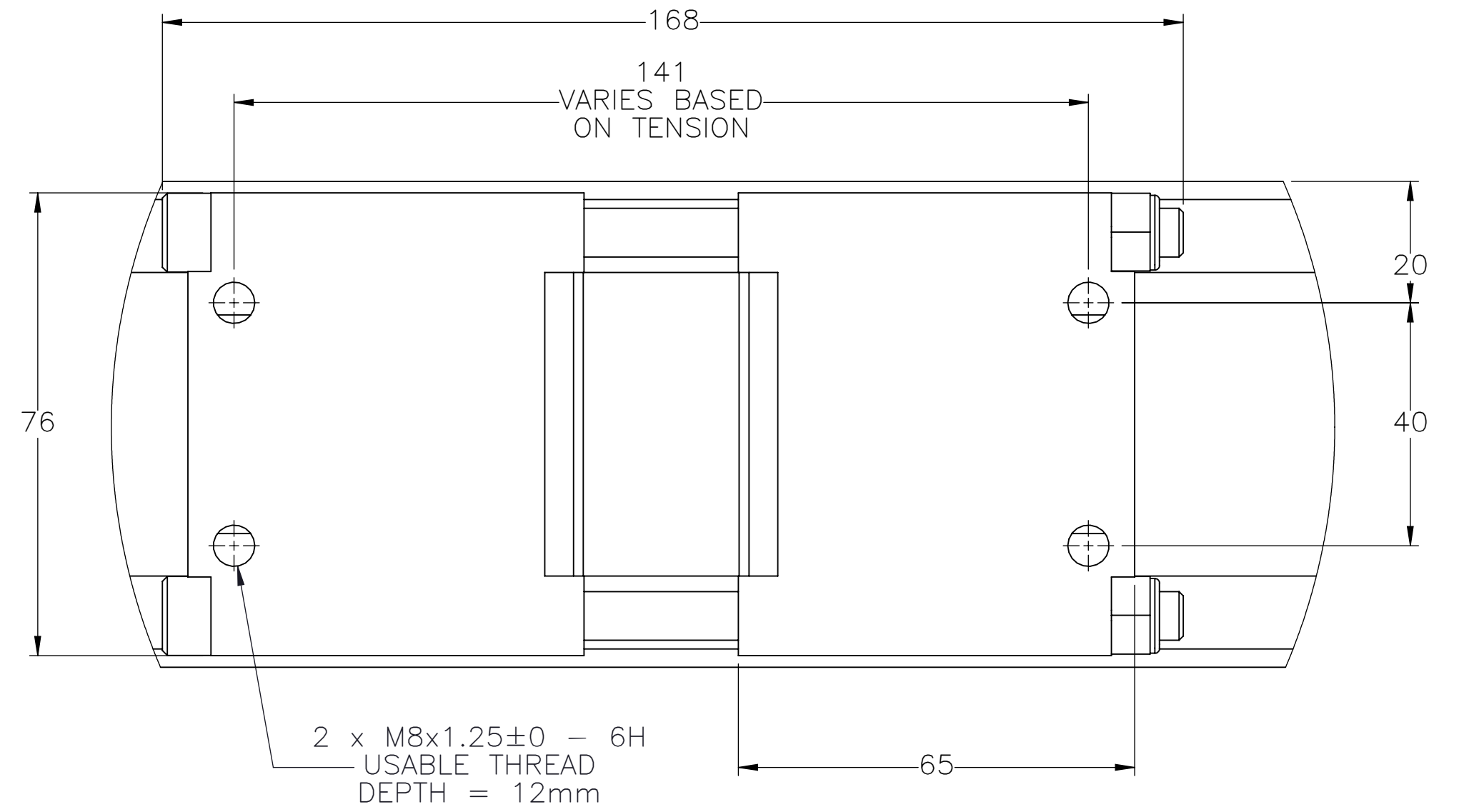
| | | | |
|--------------------------------|--|--|-------------------------------|
| MACRON DYNAMICS INC | DRAWN BY: PHW DATE: 11/26/2017 CHECKED BY: -- DATE: DD/MM/YYYY LAST SAVED BY: Tim DATE: 2/23/2021 | MATERIAL: | TITLE: |
| | UNLESS OTHERWISE SPECIFIED, DIMENSIONS ARE IN MILLIMETERS. TOLERANCES UNLESS NOTED OTHERWISE: | FINISH: | MACRON THRUSTER |
| | SURFACE FINISH $\sqrt{\text{63}}$ | SHEET: 1 OF 3 PART NUMBER: | SCALE: 1:1 SHEET SIZE: C |
| | THIS DRAWING IS THE PROPERTY OF MACRON DYNAMICS. ANY REPRODUCTIONS SHALL BE FOR QUOTATION, MANUFACTURING, OR PURCHASING PURPOSES ONLY. RELEASE OF DRAWINGS TO OTHER CONCERNS DOES NOT CONSTITUTE LICENSING IN ANY WAY. INFORMATION CONTAINED HEREIN IS PROPRIETARY AND CONFIDENTIAL. | BREAK ALL SHARP EDGES DIMENSIONAL LIMITS APPLY AFTER FINISHING THIRD ANGLE PROJECTION | MSA-BT5 |

SPECIFICATIONS ARE SUBJECT TO CHANGE WITHOUT NOTICE

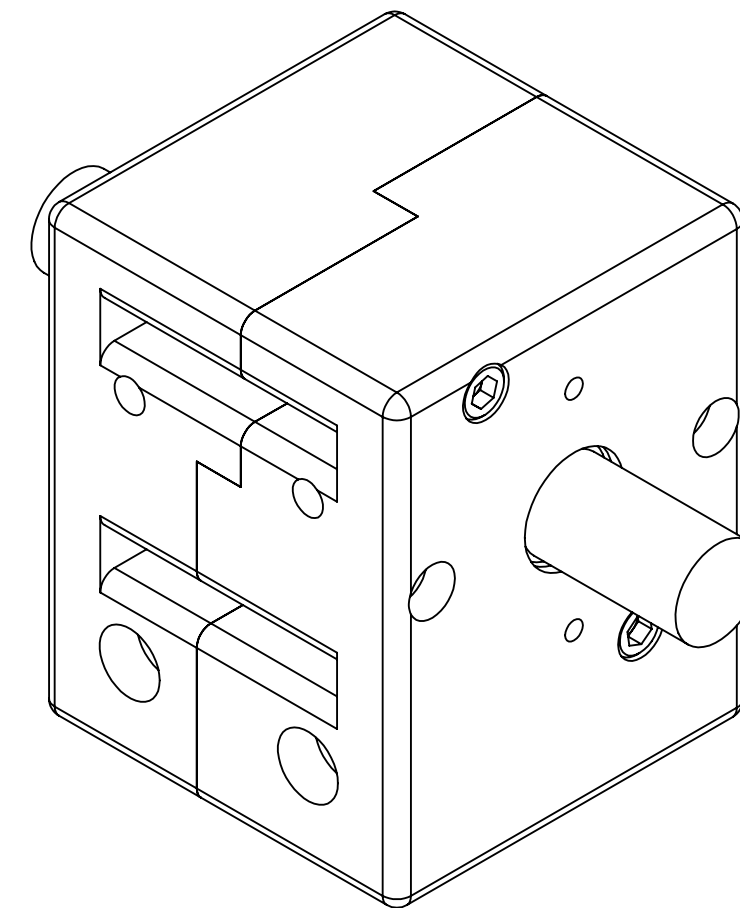
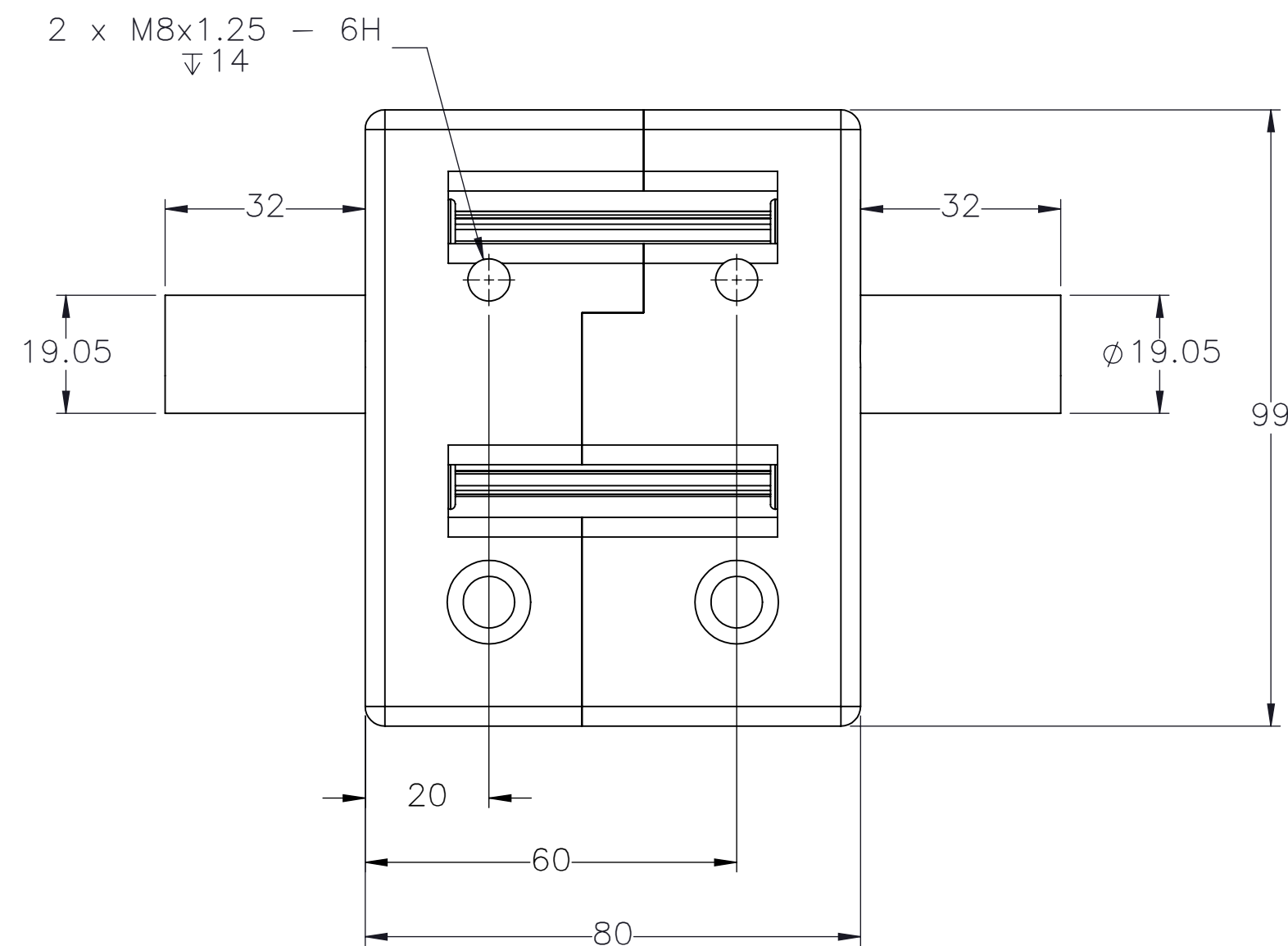
ACTUATOR BODY MOUNTING FEATURES T-NUT SLOTS




DETAILED CART VIEW A



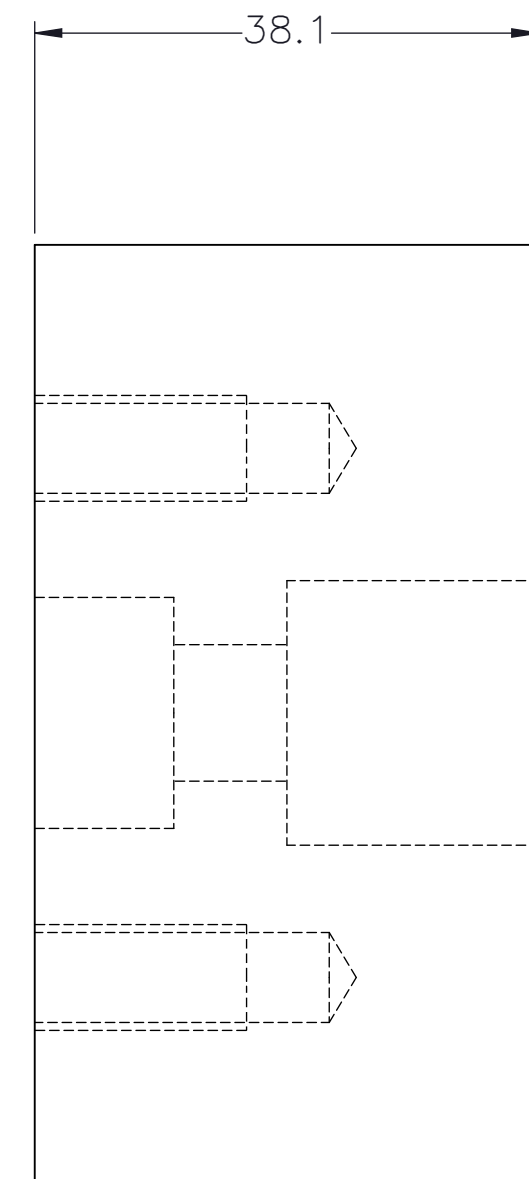
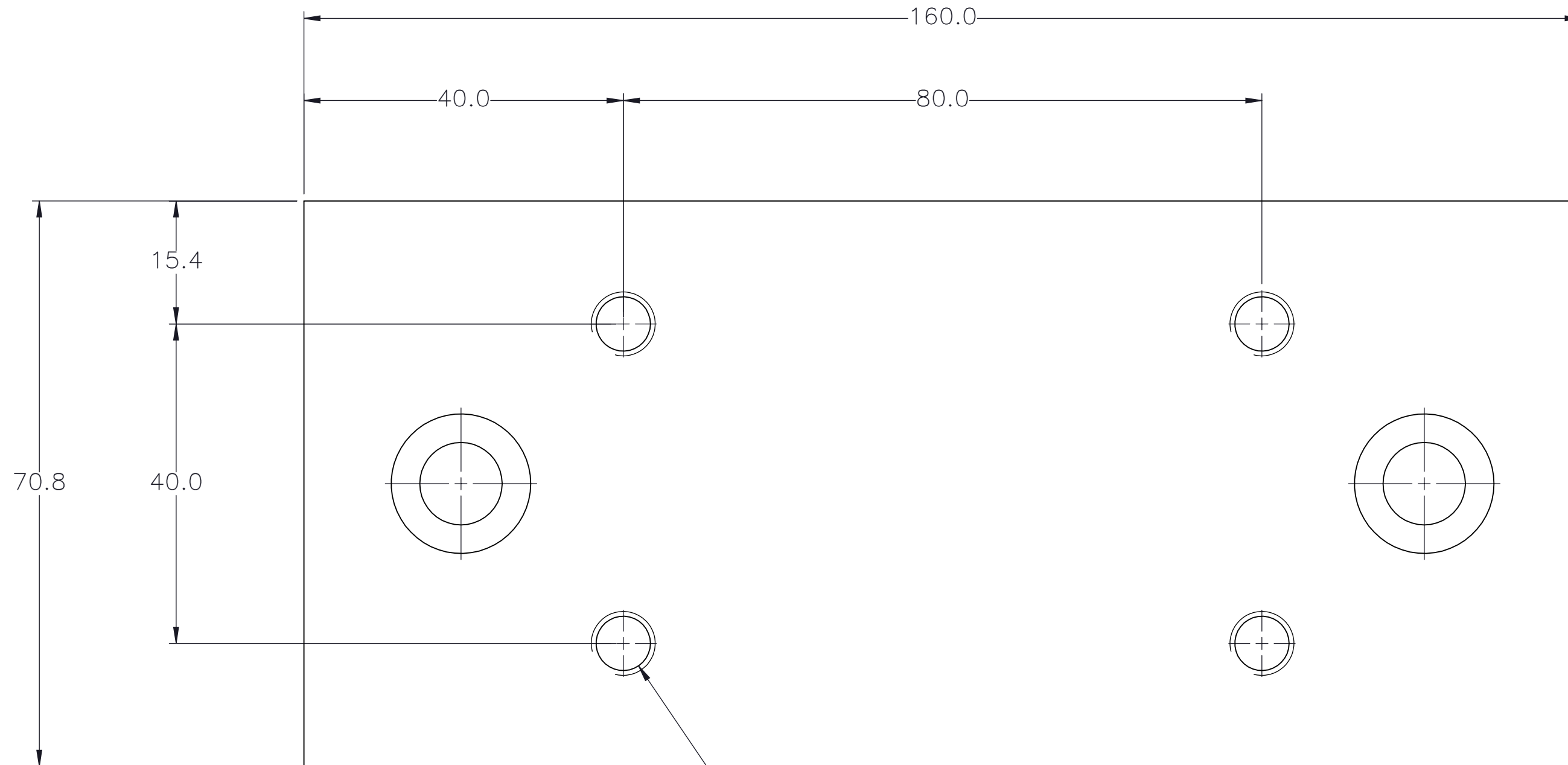
DOUBLE SHAFTED PULLEY




SPECIFICATIONS ARE SUBJECT TO CHANGE WITHOUT NOTICE

| | | | | |
|--|---|---|------------------------|---------------------------|
|  MACRON DYNAMICS INC | DRAWN BY: PHW CHECKED BY: -- LAST SAVED BY: Tim | DATE: 11/26/2017 DATE: DD/MM/YYYY DATE: 2/23/2021 | MATERIAL: | TITLE: |
| | UNLESS OTHERWISE SPECIFIED, DIMENSIONS ARE IN MILLIMETER. TOLERANCES UNLESS NOTED OTHERWISE: | .X ± .762 .XX ± .254 .XXX ± .127 ANG ± 0°30' | FINISH: | SCALE 1:1 SHEET SIZE C |
| THIS DRAWING IS THE PROPERTY OF MACRON DYNAMICS. ANY REPRODUCTIONS SHALL BE FOR QUOTATION, MANUFACTURING, OR PURCHASING PURPOSES ONLY. RELEASE OF DRAWINGS TO OTHER CONCERNS DOES NOT CONSTITUTE LICENSING IN ANY WAY. INFORMATION CONTAINED HEREIN IS PROPRIETARY AND CONFIDENTIAL. | SURFACE FINISH ✓ BREAK ALL SHARP EDGES DIMENSIONAL LIMITS APPLY AFTER FINISHING THIRD ANGLE PROJECTION | SHEET 2 OF 3 | PART NUMBER MSA-BT5 | REV |

DETAILED PUSHER PLATE



4 x ϕ 6.80 ∇ 22
M8x1.25 - 6H ∇ 16

| | | | | | |
|---|--|---|---|---------------------------|---------------------|
|  MACRON DYNAMICS INC | DRAWN BY: PHW CHECKED BY: -- LAST SAVED BY: Tim | DATE: 11/26/2017 DATE: DD/MM/YYYY DATE: 2/23/2021 | MATERIAL: | TITLE: MACRON THRUSTER | |
| | UNLESS OTHERWISE SPECIFIED: DIMENSIONS ARE IN MILLIMETERS. TOLERANCES UNLESS NOTED OTHERWISE: | | FINISH: | SCALE 1:1 SHEET SIZE C | |
| | SURFACE FINISH ∇ 63 | | BREAK ALL SHARP EDGES DIMENSIONAL LIMITS APPLY AFTER FINISHING | SHEET 3 OF 3 | PART NUMBER MSA-BT5 |
| | THIS DRAWING IS THE PROPERTY OF MACRON DYNAMICS. ANY REPRODUCTIONS SHALL BE FOR QUOTATION, MANUFACTURING, OR PURCHASING PURPOSES ONLY. RELEASE OF DRAWINGS TO OTHER CONCERNS DOES NOT CONSTITUTE LICENSING IN ANY WAY. INFORMATION CONTAINED HEREIN IS PROPRIETARY AND CONFIDENTIAL. | | THIRD ANGLE PROJECTION | REV | REV |