

MSA-R6S-E-BC- -

| | |
|-----------------------|---|
| PULLEY PITCH DIAMETER | 47.75mm (1.880") |
| PULLEY WIDTH | 28.9mm (1.138") |
| PULLEY MATERIAL | STEEL |
| BELT WEIGHT (kg) | $((\text{TRAVEL IN METERS} \times 2) + .61) \times .12$ |
| TRAVEL PER REV. | 150mm |
| TRAVEL MIN. | 150mm |
| TRAVEL MAX. | 5825mm |
| CART WEIGHT (kg) | 0.59kg |
| SYSTEM WEIGHT (kg) | $(\text{TRAVEL IN METERS} \times 3.7) + 3.7$ |

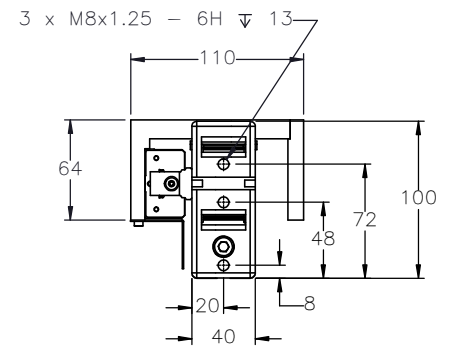
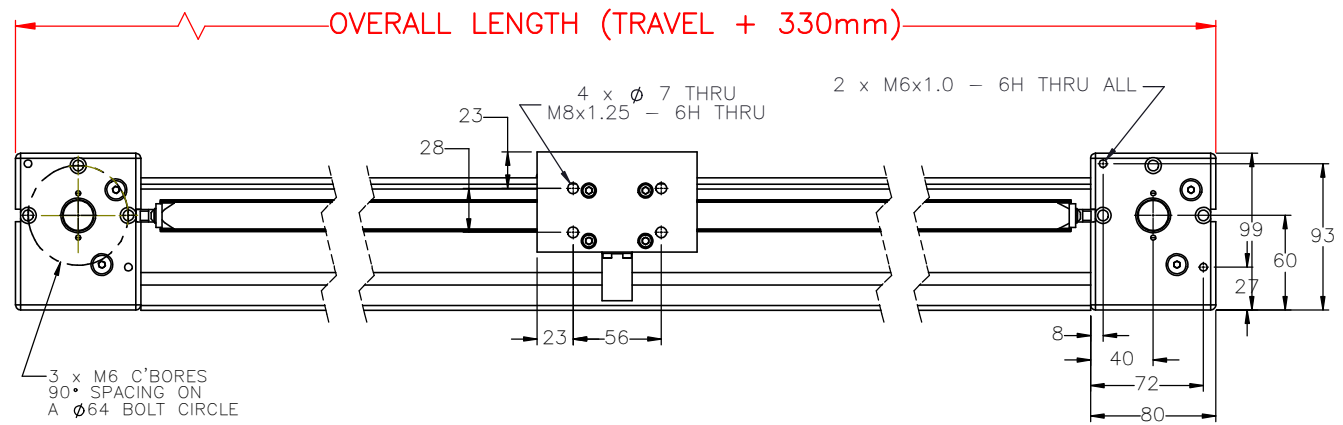
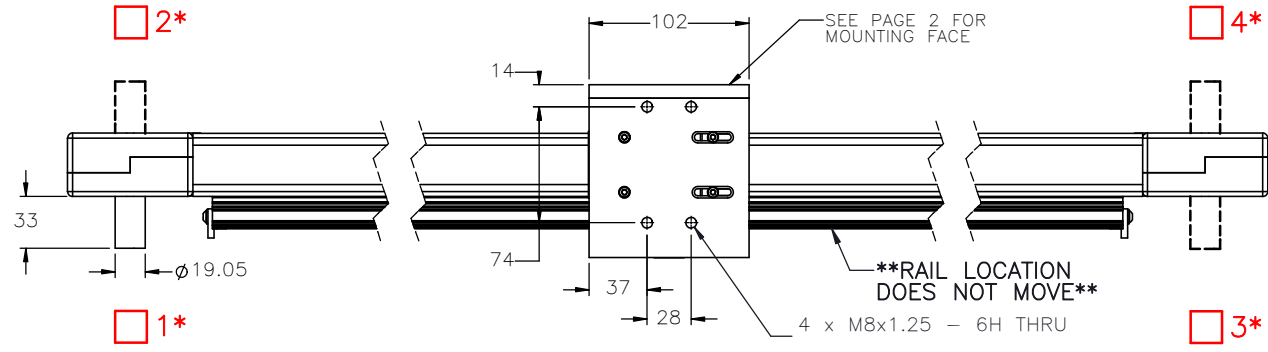
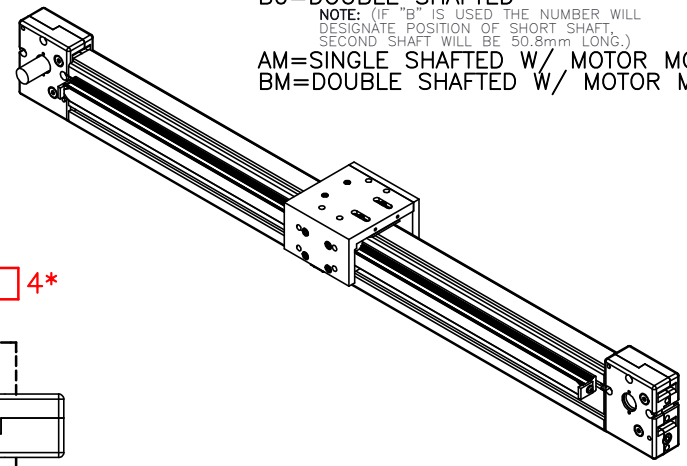
ENTER
TRAVEL IN INCREMENTS OF 25mm

SELECT
DRIVE SHAFT LOCATION*

SHAFTING TYPE
A0= SINGLE SHAFTED
B0= DOUBLE SHAFTED

NOTE: (IF "B" IS USED THE NUMBER WILL DESIGNATE POSITION OF SHORT SHAFT. SECOND SHAFT WILL BE 50.8mm LONG.)

AM= SINGLE SHAFTED W/ MOTOR MOUNT
BM= DOUBLE SHAFTED W/ MOTOR MOUNT



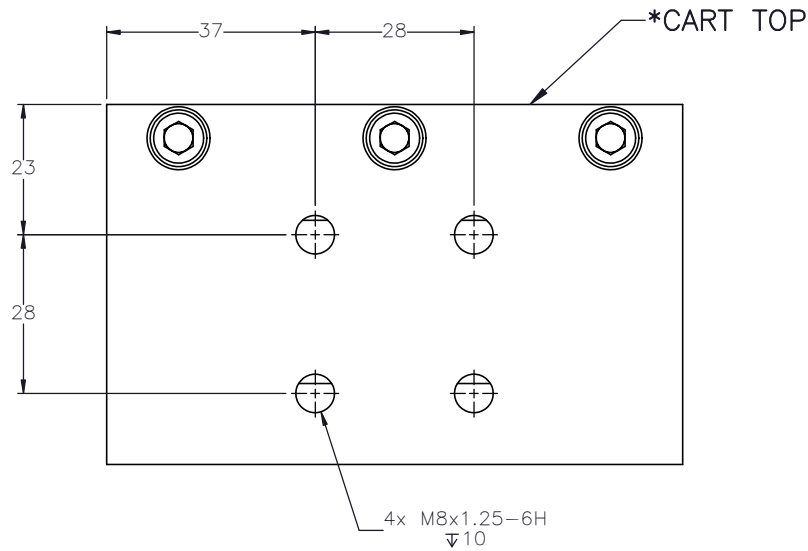
APPROVED: _____

DATE: _____

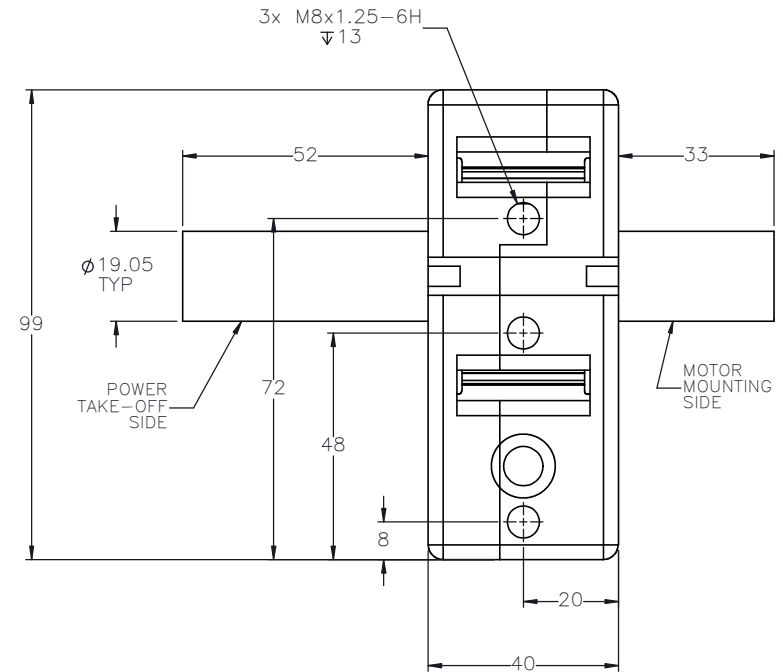
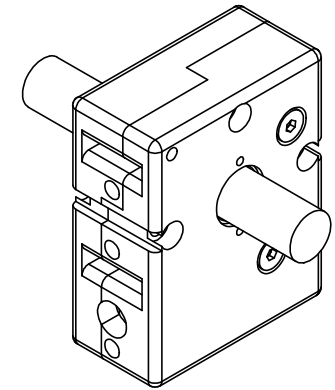
| | | | | |
|---|---|--|--|---|
| <p>MACRON DYNAMICS INC</p> <p><small>THIS DRAWING IS THE PROPERTY OF MACRON DYNAMICS. ANY REPRODUCTIONS SHALL BE FOR QUOTATION, MANUFACTURING OR PURCHASING PURPOSES ONLY. RELEASE OF DRAWINGS TO OTHER CONCERNS DOES NOT CONSTITUTE LICENSING IN ANY WAY. INFORMATION CONTAINED HEREIN IS PROPRIETARY AND CONFIDENTIAL.</small></p> | DRAWN BY: PHW CHECKED BY: -- LAST SAVED BY: Tim | DATE: 11/26/2017 DATE: DD/MM/YYYY DATE: 8/4/2020 | MATERIAL: FINISH: | TITLE: MACRON 6 RAIL ACTUATOR |
| | UNLESS OTHERWISE SPECIFIED, DIMENSIONS ARE IN INCHES. TOLERANCES UNLESS NOTED OTHERWISE: | | .X ± .03 .XX ± .010 .XXX ± .005 ANG ± 0°30' | SCALE: 1:1 SHEET SIZE: C |
| | SURFACE FINISH <input checked="" type="checkbox"/> | | SHEET: 1 OF 2 PART NUMBER: MSA-R6S | REV: |
| | BREAK ALL SHARP EDGES DIMENSIONAL LIMITS APPLY AFTER FINISHING THIRD ANGLE PROJECTION | | | |

SPECIFICATIONS ARE SUBJECT TO CHANGE WITHOUT NOTICE

CART MOUNTING FEATURES

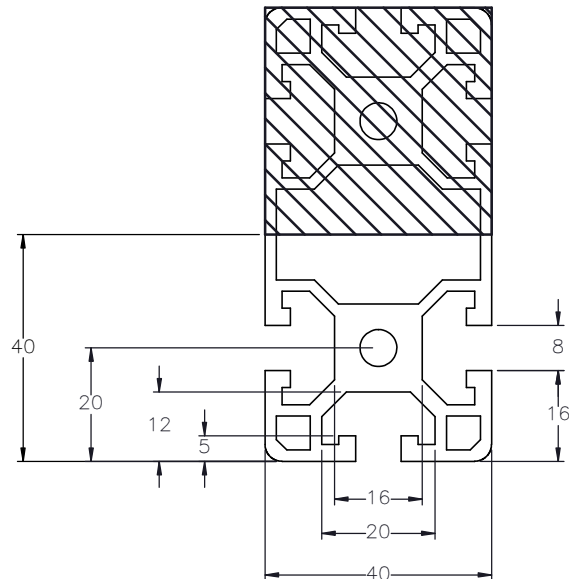


DOUBLE SHAFTED PULLEY



CUSTOMER ACCESSIBLE MOUNTING FEATURES, T-NUT SLOTS

SUGGESTED MOUNTING ACCESSORY
MACRON P/N: M22138



MACRON DYNAMICS INC

| | |
|--|------------------|
| DRAWN BY: PHW | DATE: 11/26/2017 |
| CHECKED BY: -- | DATE: DD/MM/YYYY |
| LAST SAVED BY: Tim | DATE: 8/4/2020 |
| UNLESS OTHERWISE SPECIFIED, DIMENSIONS ARE IN INCHES. TOLERANCES UNLESS NOTED OTHERWISE: .X ± .03 .XX ± .010 .XXX ± .005 ANG ± 0°30' | |

| | |
|-----------|-------------------------------|
| MATERIAL: | TITLE: MACRON 6 RAIL ACTUATOR |
| FINISH: | SCALE 1:1 SHEET SIZE C |

SPECIFICATIONS ARE SUBJECT TO CHANGE WITHOUT NOTICE