

MSA-R2D-0-00- -

PULLEY PITCH DIAMETER	45.75mm (1.880")
PULLEY WIDTH	28.9mm (1.138")
PULLEY MATERIAL	STEEL
BELT WEIGHT (kg)	$((\text{TRAVEL IN METERS} \times 2) + .94) \times .34$
TRAVEL PER REV.	150mm
TRAVEL MIN.	150mm
TRAVEL MAX.	5575mm
CART WEIGHT (kg)	3.8kg
SYSTEM WEIGHT (kg)	$(\text{TRAVEL IN METERS} \times 16.7) + 13.0$

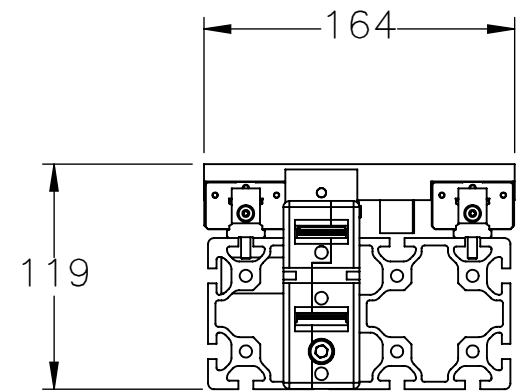
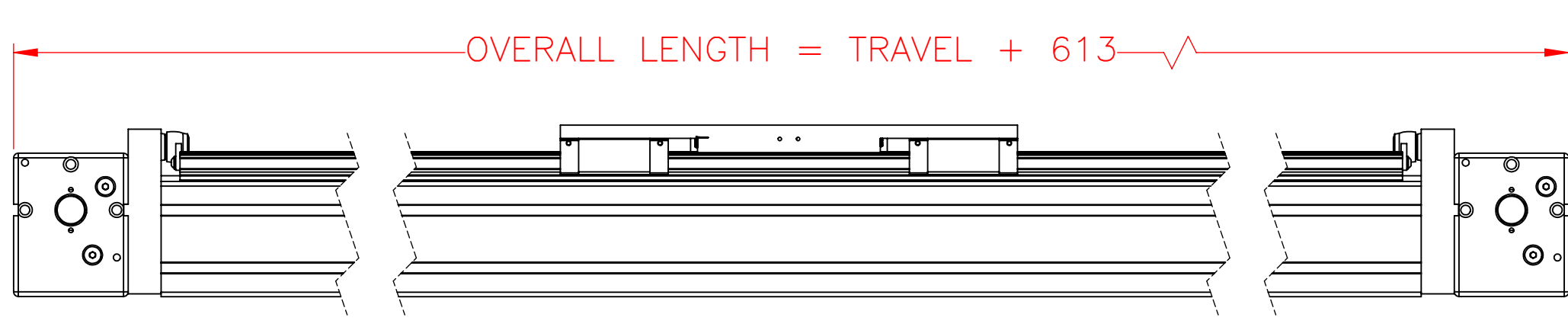
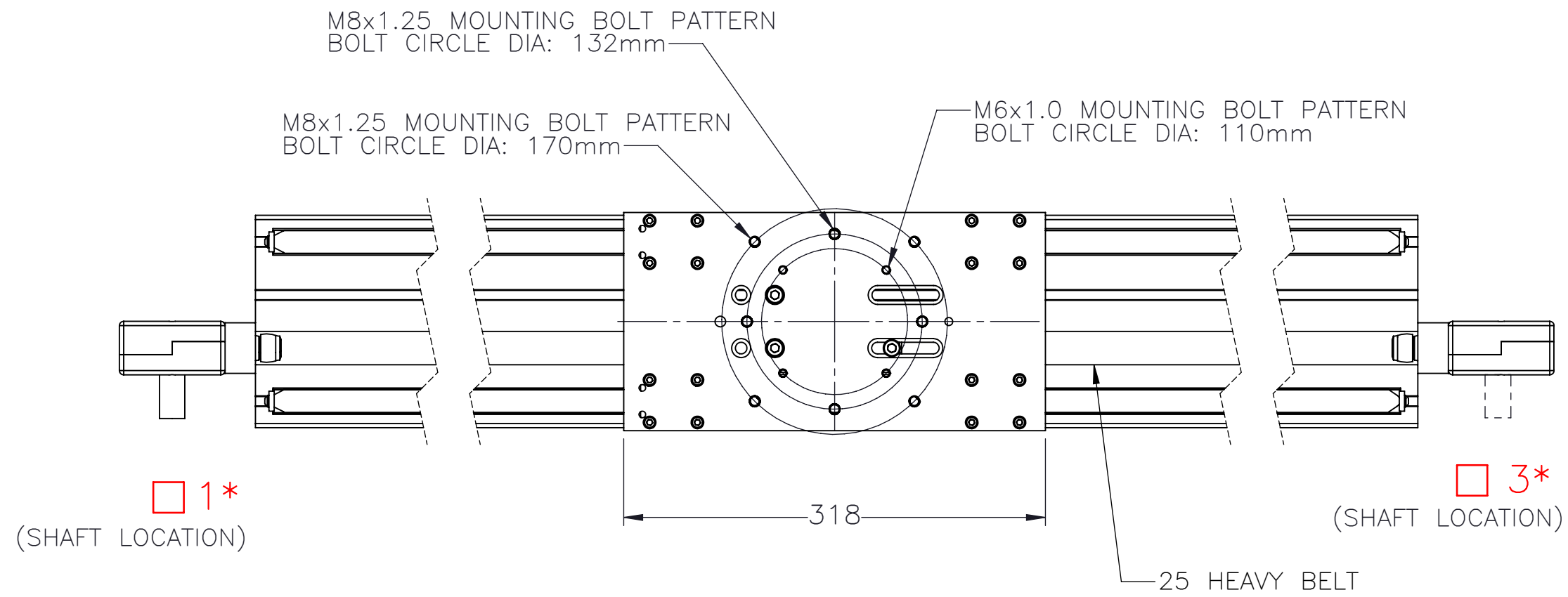
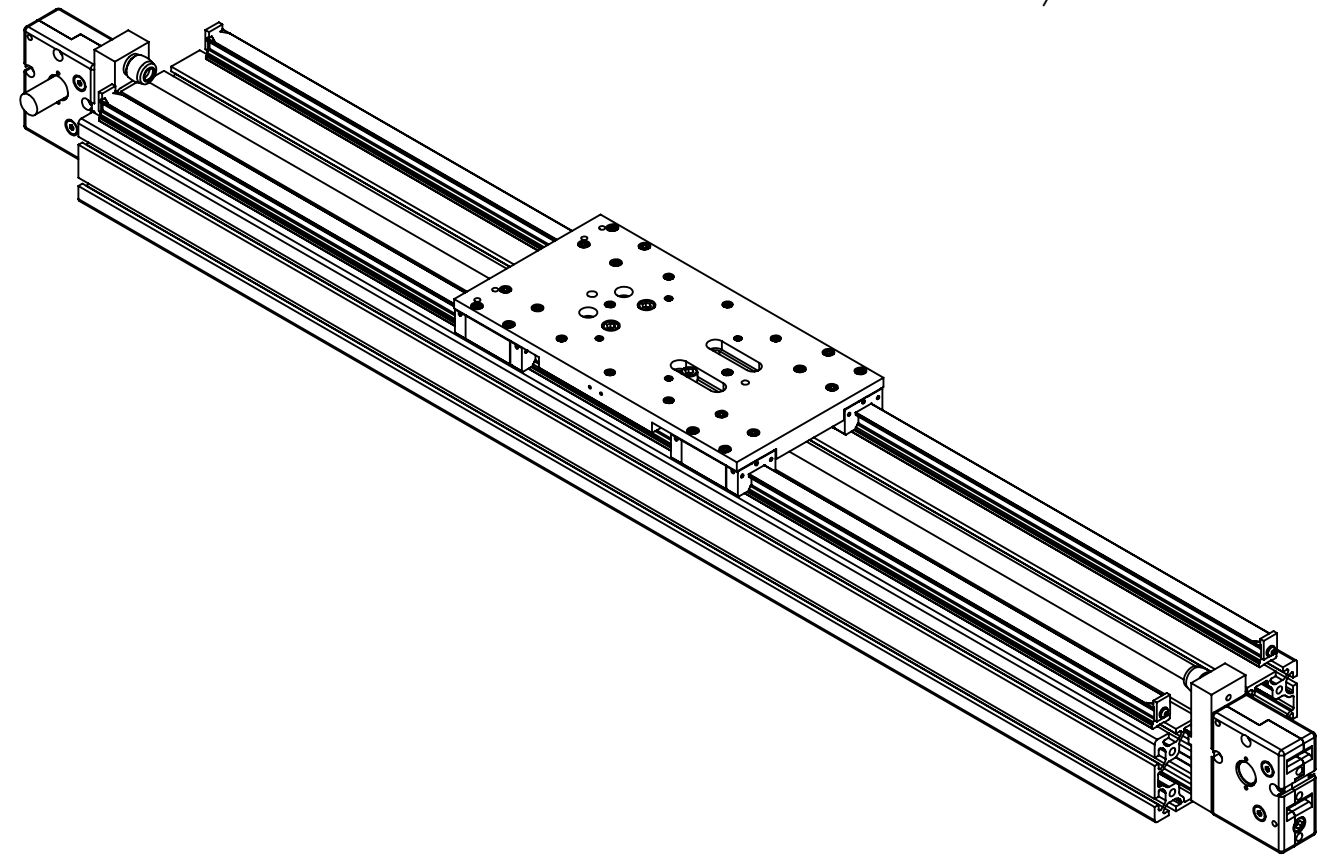
ENTER
TRAVEL IN INCREMENTS OF 25mm

SELECT
DRIVE SHAFT LOCATION*

SHAFTING TYPE
AO=SINGLE SHAFTED
BO=DOUBLE SHAFTED

NOTE: (IF "B" IS USED THE NUMBER WILL DESIGNATE POSITION OF THE BOSS ON THE PULLEY)

AM=SINGLE SHAFTED W/ MOTOR MOUNT
BM=DOUBLE SHAFTED W/ MOTOR MOUNT



APPROVED: _____

DATE: _____

SPECIFICATIONS ARE SUBJECT TO CHANGE WITHOUT NOTICE

<p>MACRON DYNAMICS INC</p> <p><small>THIS DRAWING IS THE PROPERTY OF MACRON DYNAMICS. ANY REPRODUCTIONS SHALL BE FOR QUOTATION, MANUFACTURING, OR PURCHASING PURPOSES ONLY. RELEASE OF DRAWINGS TO OTHER CONCERNS DOES NOT CONSTITUTE LICENSING IN ANY WAY. INFORMATION CONTAINED HEREIN IS PROPRIETARY AND CONFIDENTIAL.</small></p>	DRAWN BY: AW CHECKED BY: -- LAST SAVED BY: Tim	DATE: 10/21/2021 DATE: DD/MM/YYYY DATE: 9/30/2022	MATERIAL:	TITLE: MACRON RAIL ACTUATOR	
	UNLESS OTHERWISE SPECIFIED, DIMENSIONS ARE IN MILLIMETERS. TOLERANCES UNLESS NOTED OTHERWISE:		FINISH:	SCALE 1:1 SHEET SIZE C	
	SURFACE FINISH \checkmark		BREAK ALL SHARP EDGES	SHEET 1 OF 2	PART NUMBER MSA-R2D-0-00-AOX-XXXX
	THIRD ANGLE PROJECTION		DIMENSIONAL LIMITS APPLY AFTER FINISHING	REV 02	02

